



# Shelving, Inc.

"Making Space Work Harder Since 1960"

Phone 800-637-9508



Twitter: @Shelving\_



Facebook: Shelving.com

Commercial

www.Shelving.com

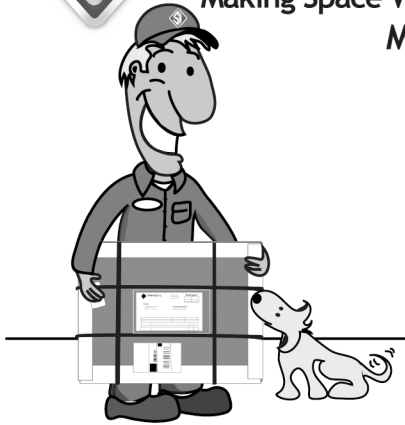
Residential

www.TheShelvingStore.com

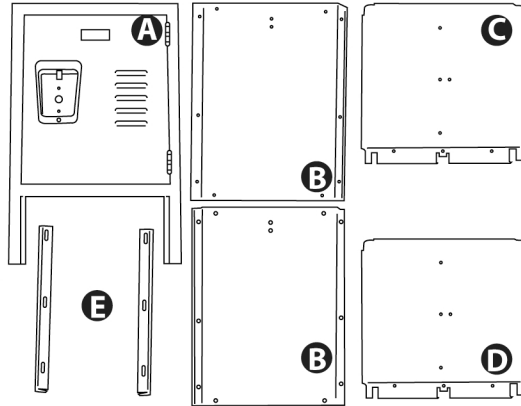
Catalog

www.ShelvingCatalog.com

## Mini Kids Locker Assembly and Accessory Guide



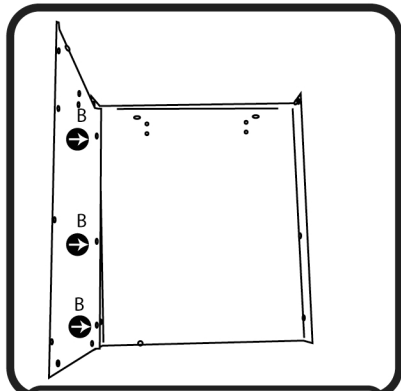
Inspect Package at arrival



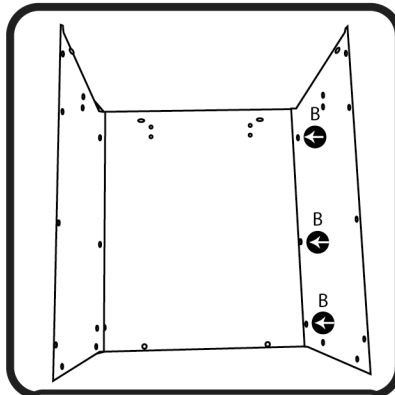
Check number of parts against packing list

- A** 1 door frame
- B** 2 sides panels
- C** 1 top--tabs in front
- D** 1 bottom--tabs in front
- E** 2 adjustable legs
- F** 1 back
- G** 1 pack of hardware (with extra nuts and bolts)

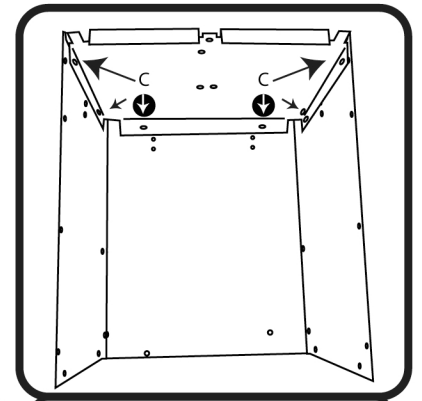
Tighten all hardware securely



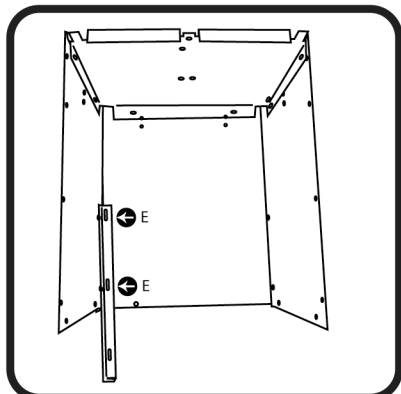
1 Bolt left side to back panel



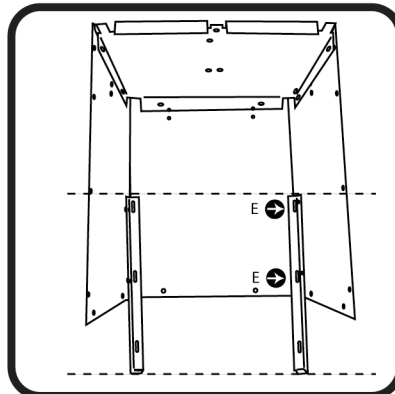
2 Bolt right side to back panel



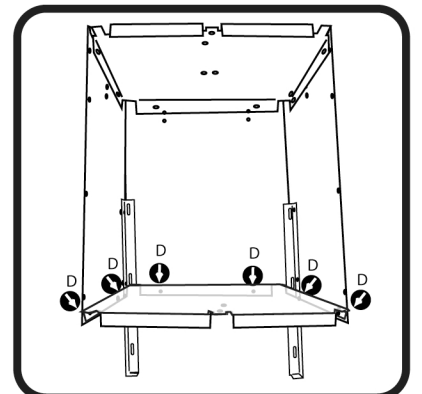
3 Bolt top to left, right and back panel



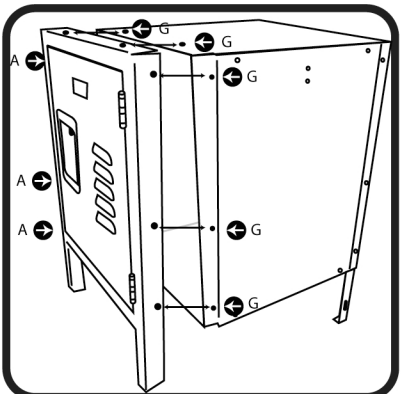
4 Bolt leg to side and back



5 Bolt leg to side and back-adjust to level



6 Bolt bottom to back and side panels

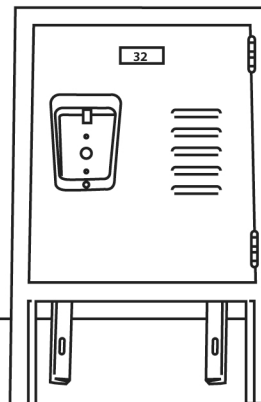


7 Bolt door frame to top bottom and sides

Mini Kid's Locker Accessories Available



Optional Built in locks Available



For safety anchor locker to a wall!



Printed Using Recycled Paper